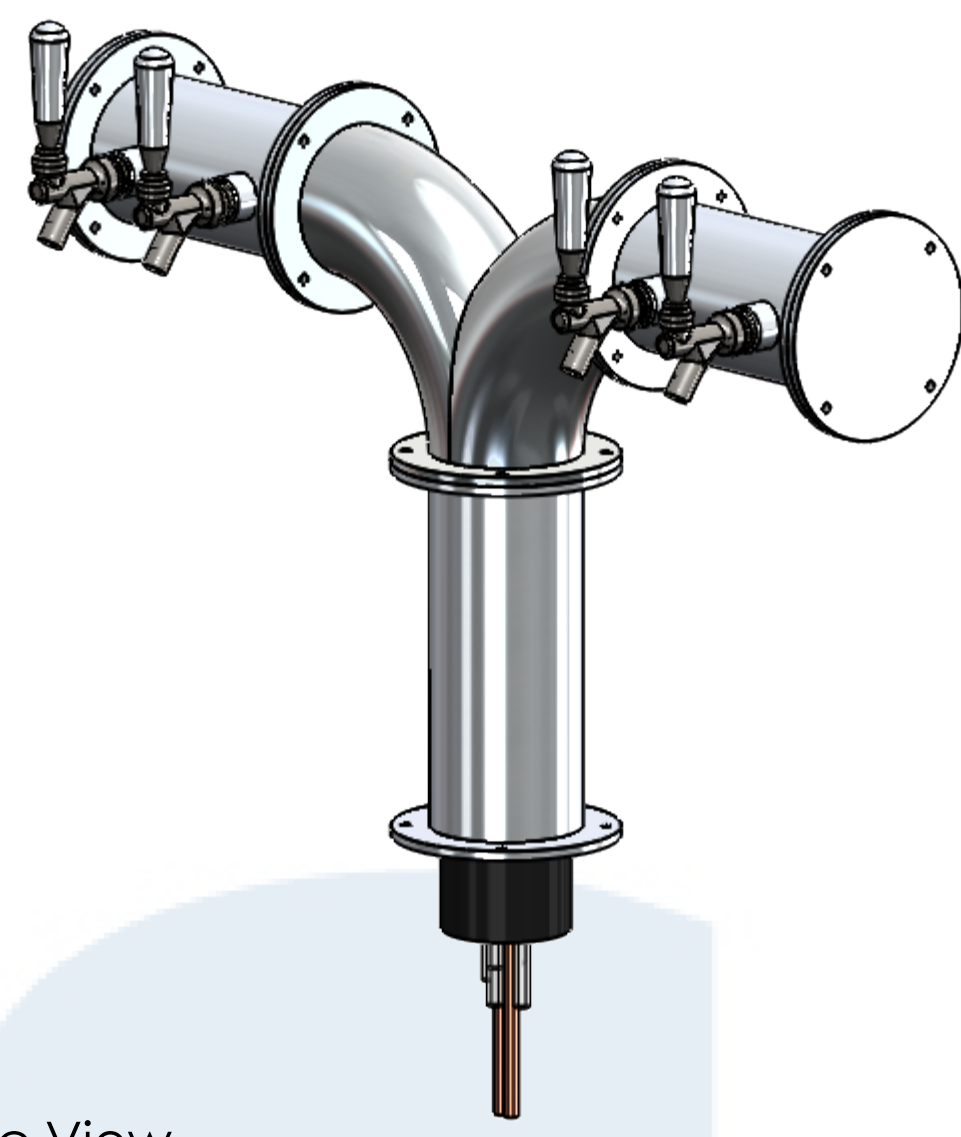
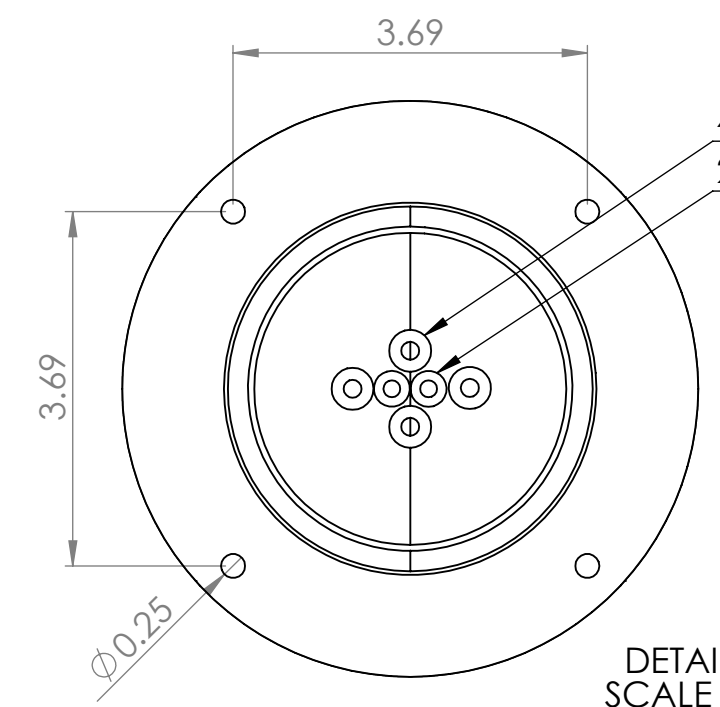
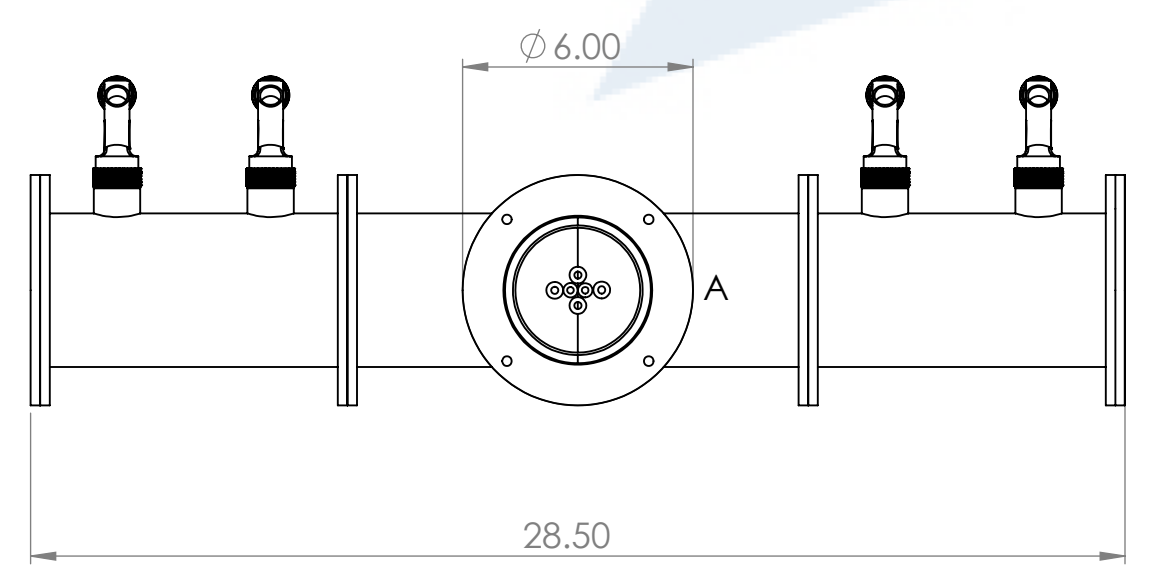


304SS tube connected to CBS NSF Flexible Total Barrier Tubing to 15lbs of Restriction



Isometric View  
(For reference purpose only)



4 beer lines: 3/16" ID x 7/16" OD  
2 recirculation lines: 3/8" OD ACR copper

DETAIL A  
SCALE 1 : 2



Suggested Drip Tray:  
BB701330 - 30" x 7" BSS Drip Tray  
BB702430 - 30" x 7" BSS Spray Drip Tray

Name		Date		Title:	
Drawn by:	Canadian Beverage Supply Inc.	07/29/2020	4" 4 Tap Albatross Tower		
Approved by:	VP Sales	Part Number: BB102620-04SSCK			
Material:	304 SS	Finish:	Polished SS	Revision:	
Unless otherwise mentioned, dimensions are inches					
SCALE: 1:5				SHEET 1 OF 1	